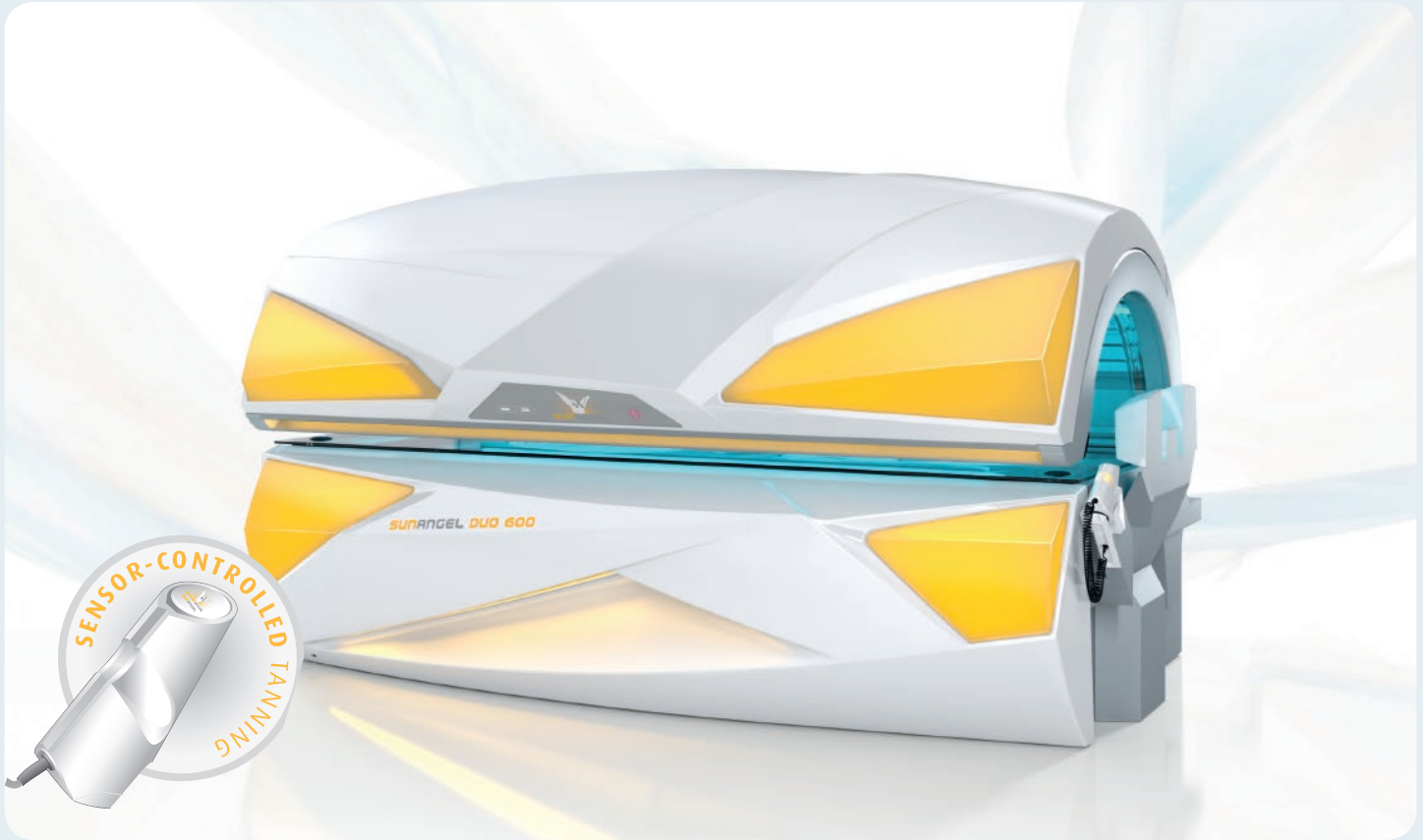


**SONNENENGEL  
DUO 600**

**INDIVIDUAL  
PERFORMANCE**



**SUNANGEL DUO 600**

## **A GLEAMING PRESENCE**

Our exclusive sensor-controlled SUNANGEL tanning technology is now available in compact size without sacrificing luxury and performance. With its stunning looks, the SUNANGEL DUO 600 is truly eye-catching and will be an immediate hit in your store. Invite your tanners to a positively special tanning experience! The SUNANGEL DUO 600 redefines what you can expect from a compact tanning bed. It is the perfect solution for anyone who wants to offer sensor-controlled tanning and complete luxury, but has limited space.

- **INDIVIDUAL UV SPECTRUM**
- **SENSOR-CONTROLLED TANNING**
- **DUO SELECT FEATURE**
- **TAN WITH CONFIDENCE**

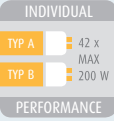




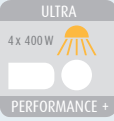
The intelligent skin sensor takes seconds to measure the skin's current UV light sensitivity, virtually eliminating the risk of sunburn.



Two selectable programs, offer a choice between Essential Sunshine conducive to Vitamin D3 synthesis\* and Styling Sunshine for a perfectly customized tan!



Individual Performance allows a perfectly customized tan by personalizing the mix of UVA and UVB for each tanner. For a glowing tan and lower risk of overexposure.



Ultra Performance Plus technology with glass reflectors includes UV-B spaghetti lamps and special filters. It is the most advanced facial system on the market today.



High quality performance LED's guarantee impressive color brilliance with more than 200 colors and light effects. It features energy savings and a life of more than 30.000 hours.



The new LED interior light emphasizes the features in the tanning tunnel. The brightly illuminated tanning tunnel appears particularly hygienic and invites your customers to tan.



Our ergonomically designed base acrylic Bodyform Plus will give you perfect comfort during your tanning session.



The new Air Condition PLUS cools the base acrylic and promises an overall refreshing feeling during the tanning session.



Comfort Cooling PLUS wraps your body and face in a pleasant flow of cooling air. The ventilation for face and body automatically ensures the right climate.



Aqua Mist ensures a pleasant refreshment during the tanning session by diffusing a superfine mist into the face and/or body area of the tanning tunnel.



The aroma function circulates gently scented air in the tanning tunnel and room. Enjoy the tanning session with all your senses for a perfectly relaxing experience.



With NFC Connect various comfort settings can be saved on a customer card – all individual preferences are already set for the next visit. It's simple!



Our 3D Sound System will bathe you in a sumptuous sea of sound as you tan. The system consists of two speakers, a subwoofer, and an SD card slot and MP3 connection.



With this function you can connect a MP3 player or a smartphone to enjoy your own music during the session. The Auto Play function will recognize the connection automatically.



Voice Guide walks you through every step in a pleasant, friendly voice as you control the tanning bed.



SONNENENGEL DUO 600

INDIVIDUAL PERFORMANCE

Lamps	Watts max.	FT	Watts max.
42	200	4	400
UV-B-Lamps	Watts		
3	8		

Maximum exposure schedule: 15 minutes

**Features:** Sensor, Duo Select, Individual Performance, Ultra Performance PLUS, LED Light Show, Interior Light, Bodyform Plus, Comfort Cooling, Air Condition Plus, Aqua Mist, Aroma, NFC Connect, Stereo Sound\*

\*Stereo-Sound-Unit incl. Voice Guide, MP3- & iPod-connection, SD-Card-Slot, Automatic-Volume und Auto Play.

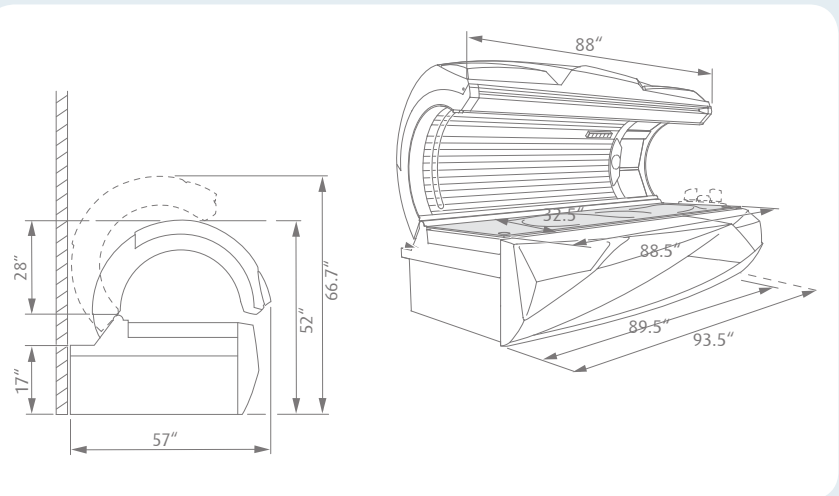
TECHNICAL SPECS, DIMENSIONS AND DATA

DIMENSIONS AND SPECS

- Optional exhaust plenum
- Dimensions closed (LxWxH in inches): 94 x 57 x 53
- Dimensions open (H in inches): 67
- Recommended room size (in feet): 9 x 8

INDIVIDUAL PERFORMANCE

- Total power consumption (in watts): 13,200
- Electrical requirements: 230V 3Ø or 230V 1Ø
- Circuit breaker recommended:
- 50A / 3-pole 3Ø or 80A / 2-pole 1Ø
- Number of wires required: 4 3Ø or 3 1Ø



\* Notice: You do not need to become tan for your skin to make Vitamin D3. Exposure to ultraviolet radiation may increase the likelihood of developing skin cancer and can cause serious eye injury.

Contraindication: This product is contra indicated for use on persons under the age of 18 years.  
 Contraindication: This product must not be used if skin lesions or open wounds are present.  
 Warning: This product should not be used on individuals who have had skin cancer or have a family history of skin cancer.  
 Warning: Persons repeatedly exposed to UV radiation should be regularly evaluated for skin cancer.  
 Notice: Read the mandatory FDA warning label found on every tanning machine for important information on potential eye injury, skin cancer, skin aging and photosensitive reaction and proper use. Compliant protective eyewear must be worn when using any indoor tanning system or device.

© 2014 JK Products & Services, Inc. reserves the right to change product designs, features, specifications, etc. without notice.

SUN ERGOLINE, A DIVISION OF JK PRODUCTS & SERVICES, INC.

1 Walter Kratz Drive · Jonesboro, AR 72401

☎ 870.935.1130 @ ergoline@sunergoline.com www www.sunangel-ergoline.us

📘 www.facebook.com/ErgolineWorld @JKNorthAmerica

